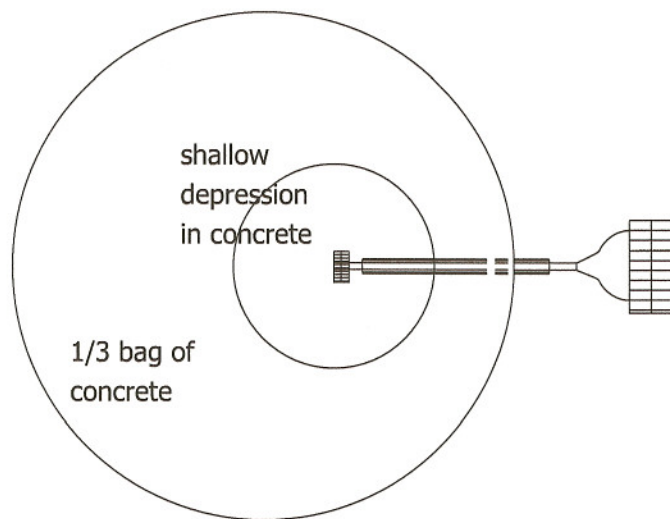


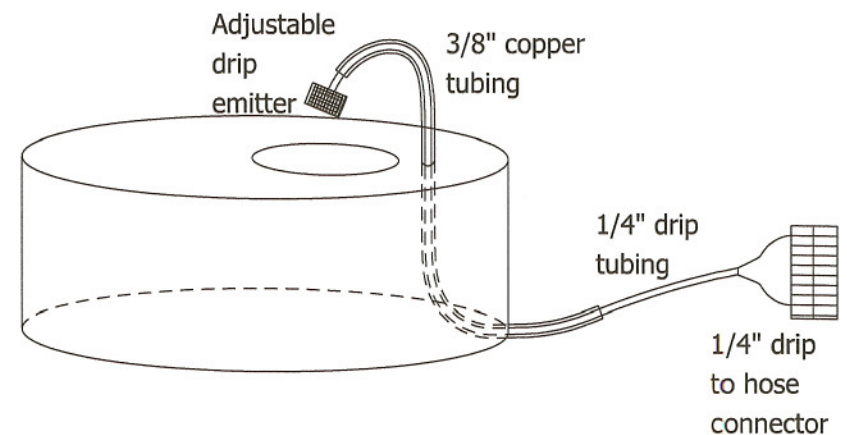
WILDLIFE DRIP WATERER

MATERIALS LIST:

- Top 1/3 of tapered 5 gallon bucket
- bag of quick mix concrete
- 15" length of 3/8" copper tubing
- 20" length of 1/4" drip tubing
- 1/4" adjustable drip emitter
- 1/4" drip to standard hose end connector



TOP VIEW



SIDE VIEW